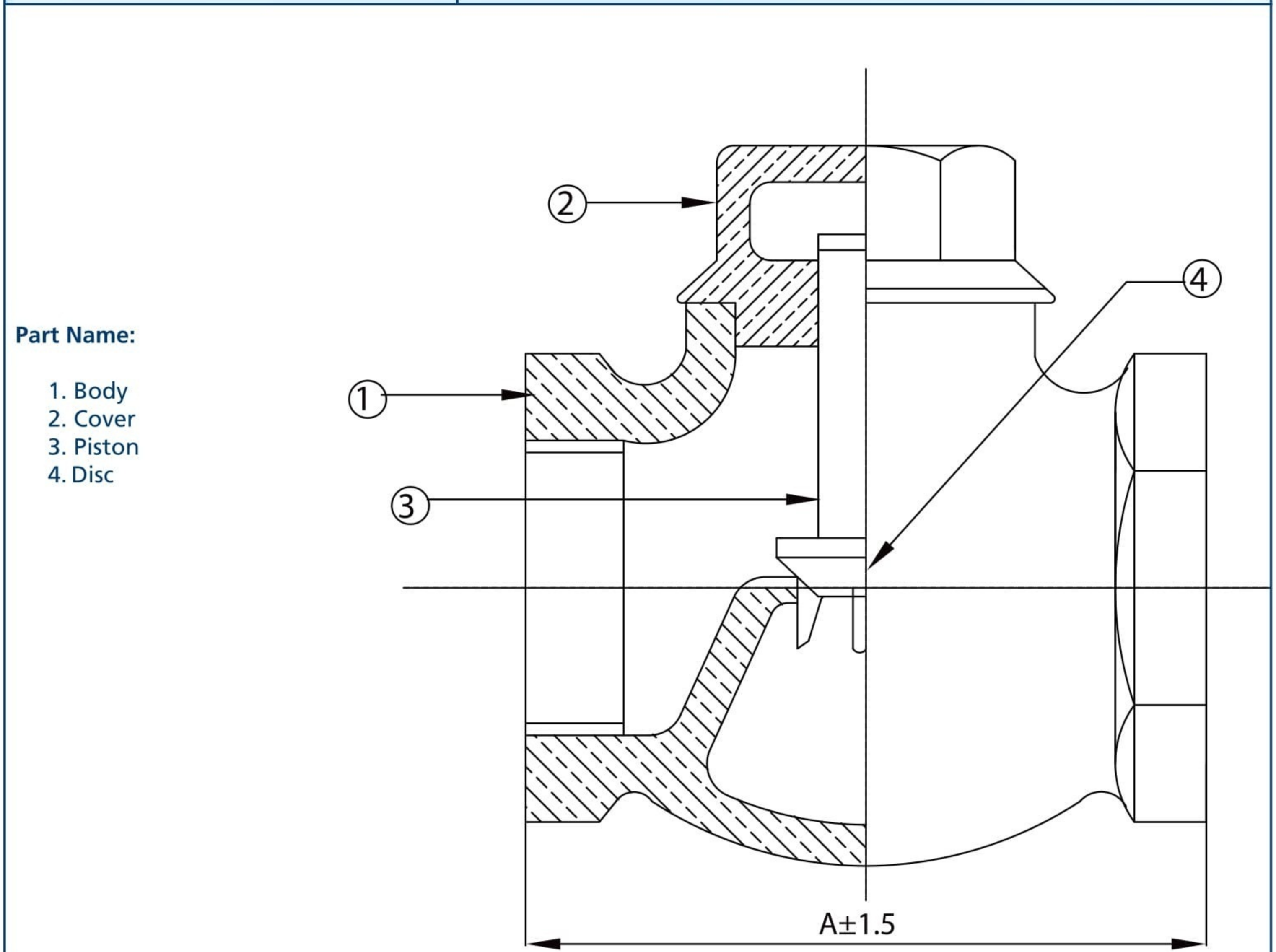


## Technical Specifications - BRONZE CHECK VALVES

<b>Type of Valve</b>	Lift Type Check Valve	
<b>Materials of Construction:</b> a. Body, Cover & Piston Disc	Bronze to IS 318 LTB 2	
<b>Design Testing Standard</b>	IS 778 PN 1.0/1.6 IS 778 PN 1.0/1.6	
<b>Dimension</b> • Face-to-Face • Ends	IS 778 PN 1.0/1.6 Screwed to IS 554 Parallel	
<b>Hydraulic Test Pressure:</b> • Body • Seat	PN 1.0 15 Kg/Cm <sup>2</sup> 10 Kg/Cm <sup>2</sup>	PN1.6 24 Kg/Cm <sup>2</sup> 16 Kg/Cm <sup>2</sup>
<b>Range</b>	15 mm NB to 50 mm NB	



**Note**

- Description given is generalized, may vary as per requirement.
- Specifications given above are subject to change as per revisions in standards without notice.
- Quotations are based on customer's requirement and data. Customers are requested to send specific requirement for an offer.
- All sizes in millimeter